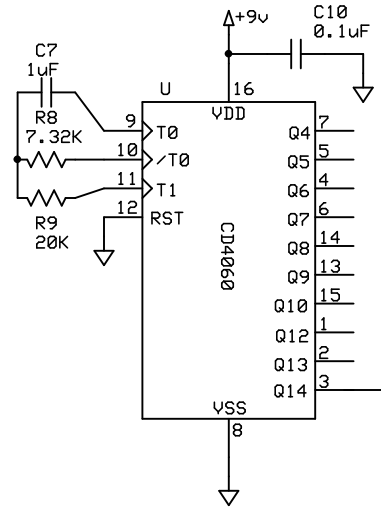


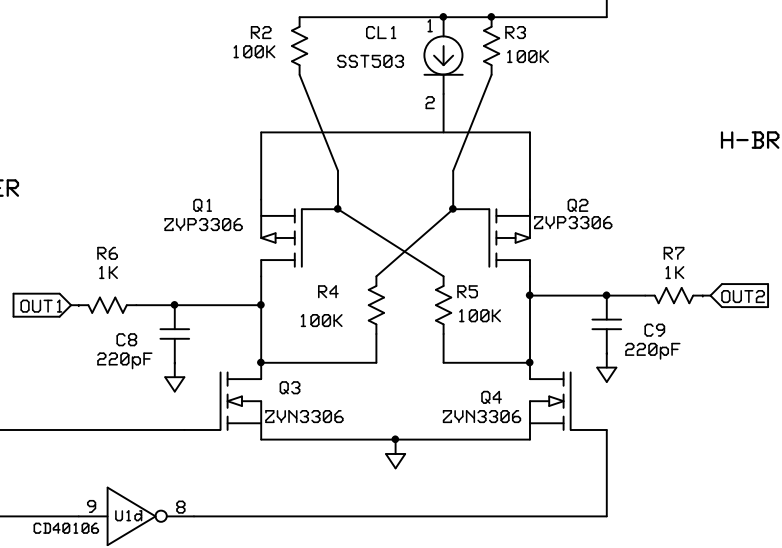
101.6KHz Oscillator  
 $I_s = 1.24 \text{ ma}, 14.9 \text{ mw}$

Voltage Multiplier

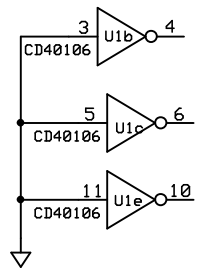
- NOTES:  
 UNLESS OTHERWISE NOTED  
 1. ALL CAPACITORS ARE 10%, 50V  
 2. ALL RESISTORS ARE 1%, 1/4 W



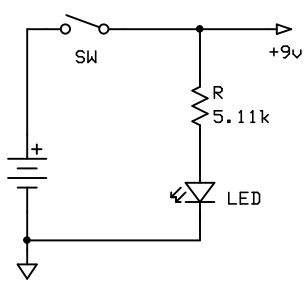
30 SEC TIMER



H-BRIDGE



9V BATTERY



<b>AUTO-BECK SCHEMATIC</b>		
Walter Cooke	Rev 1.0 6/14/2005	Page 1 of 1